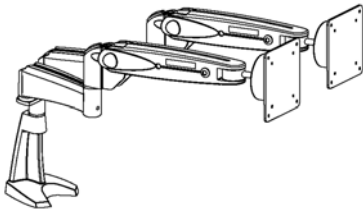


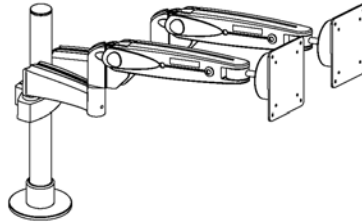
## Product Specifications

### Models

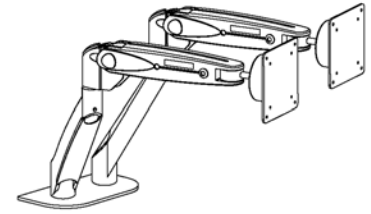
1



2



3



	P/N	Forearm	Extension		Base			Mounting			Colour	
			0 deg	45 deg	Tall	Low	Pole Mount	Clamp	Grommet	Wall	Silver	Graphite
1	DLAMK501	■	■		■			■	■		-S	-B
	DLAMT501	■	■							■		
2	DLAMP501C	■	■				■	■			-S	-B
	DLAMP501G	■	■				■		■			
3	DLAME501C	■	■		■			■			-S	-B
	DLAME501G	■	■		■				■			

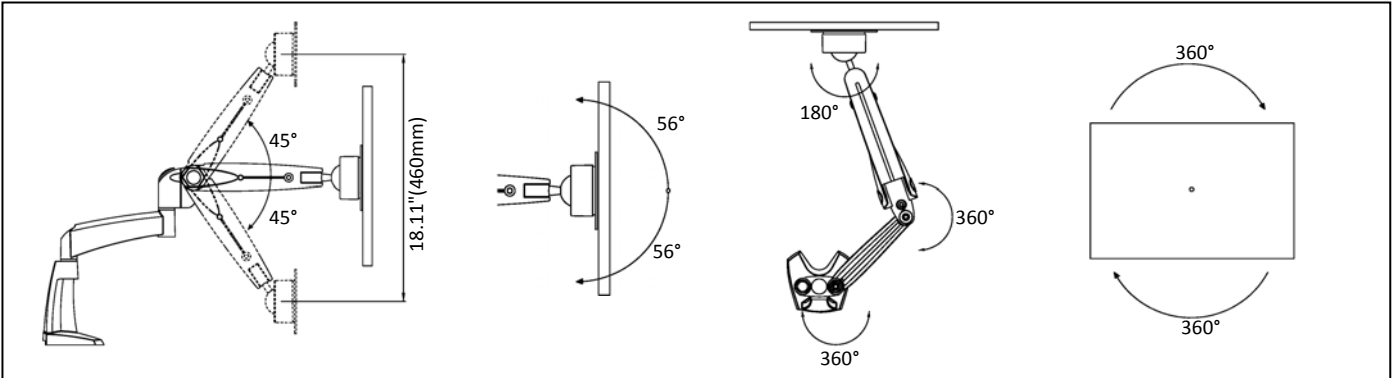
### Specifications

Monitor Interface	VESA 75 and 100mm standard		
Support Technology	High quality gas spring assisted parallel forearm, smoothly adjustable ball joint pivot		
Configuration	Dual individual M5 arms with a dual arms adaptor on a deskbase / a wall bracket / a pole mount		
Cable Management	Partly concealed channels along the forearm and extension		
Capacity *	2 monitors	0 to 15 lbs ea.	0 to 6.8 kg ea.
Recommended Monitor Size	not bigger than 24 inch		* Listed weight capacities are based on the panel in 25mm deep Capacities will vary for deeper panels or VESA mount position
Mounting	Clamp, Grommet, Wall Mount		
Material	Forearm & Pivot	Aluminum Alloy, Steel & Plastic	
	Extension	0 degree type - Aluminum Alloy & Steel	45 degree type - ABS & Steel
	Base	Tall type - Aluminum Alloy & Steel	Low Profile type - Steel Pole type - Steel
	Wall	Aluminum Alloy & Steel	
Colour	Silver or Graphite		
Finish	Matt Epoxy Coated		
Recycle Content	85%		

Content is subject to change without notification

# Product Specifications

## Range of Motion



## Dimensions

