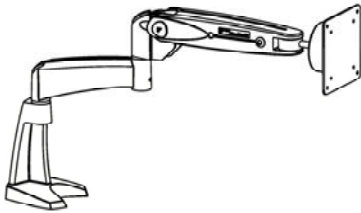


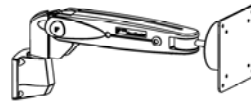
## Product Specifications

### Models

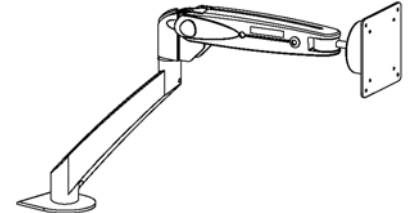
1



2



3



P/N	Forearm	Extension			Base		Mounting				Colour		
		No	0 deg	45 deg	Tall	Low	Clamp	Grommet	Wall	Slat Wall	Silver	Graphite	
1 → AMK500	■	■			■		■	■				-S	-B
1 → AMK501	■	■	■		■		■	■				-S	-B
2 → AMT500	■	■								■		-S	-B
2 → AMT501	■	■	■							■		-S	-B
AMS500	■	■									■	-S	-B
AMS501	■	■	■								■	-S	-B
3 → AME501C	■		■			■	■					-S	-B
3 → AME501G	■		■			■	■		■			-S	-B

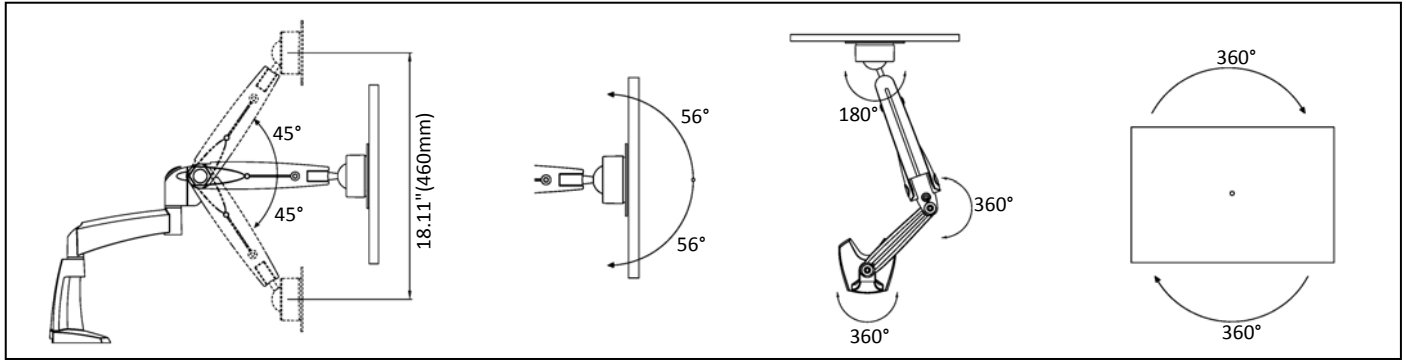
### Specifications

Monitor Interface	VESA 75 and 100mm standard		
Support Technology	High quality gas spring assisted parallel forearm, smoothly adjustable ball joint pivot		
Cable Management	Partly concealed channels along the forearm and extension		
Capacity *	0 to 15 lbs,	0 to 6.8 kg	* Listed weight capacities are based on the panel in 25mm deep
Recommended Monitor Size	not bigger than 24 inch Capacities will vary for deeper panels or VESA mount position		
Mounting	Clamp, Grommet, Wall Mount, Slatwall Mount		
Material	Forearm & Pivot	Aluminium Alloy, Steel & Plastic	
	Extension	0 degree type - Aluminium Alloy & Steel	45 degree type - ABS & Steel
	Base	Tall type - Aluminium Alloy & Steel	Low Profile type - Steel Pole type - Steel
	Wall / Slatwall	Aluminium Alloy & Steel	
Colour	Silver or Graphite		
Finish	Matt Epoxy Coated		
Recycle Content	85%		

Content is subject to change without notification

# Product Specifications

## Range of Motion



## Dimensions

