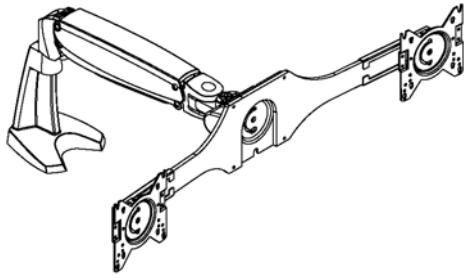


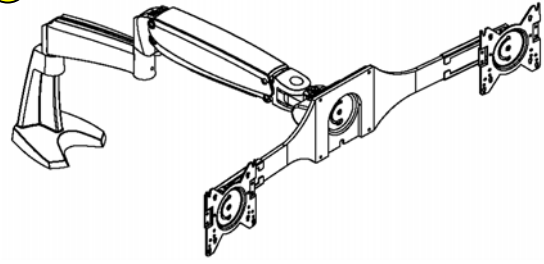
Product Specifications

Models

1



2



P/N	Forearm	Extension	Crosswing	Base	Mounting			Colour	
	Type	0 deg	w/ pivot x 2	Tall	Clamp	Grommet	Wall	Silver	Graphite
1	TWAMK630	3	■	■	■	■		-S	-B
	TWAMK631	3	■	■	■	■		-S	-B
	TWAMT630	3		■			■	-S	-B
2	TWAMT631	3	■	■			■	-S	-B

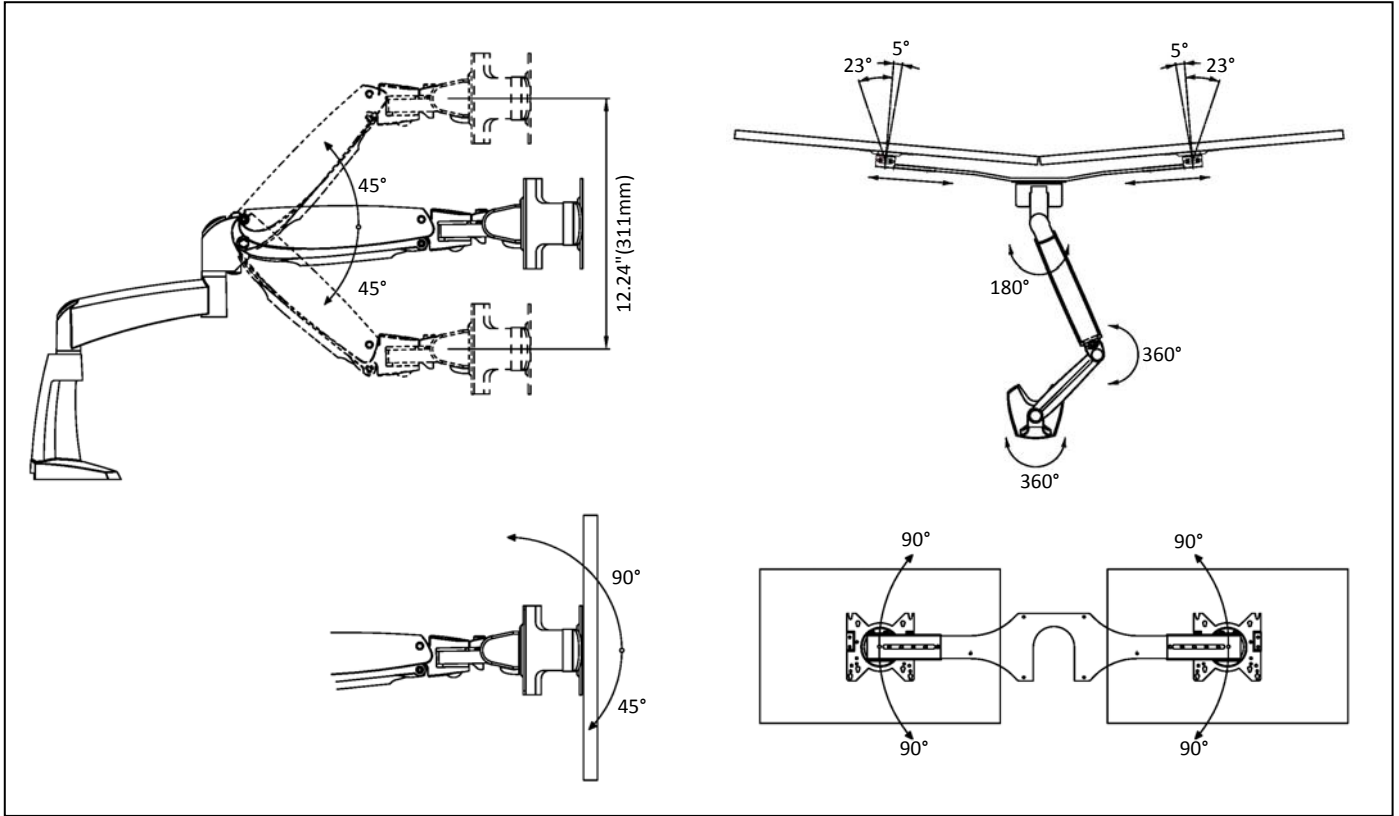
Specifications

Monitor Interface	VESA 75 and 100mm standard	
Support Technology	High quality gas spring assisted parallel forearm, spring assisted 3-axial high precision friction joint	
Configuration	Single HDM6 arm with a crosswing and two extendable pivots in landscape or portrait layout	
Cable Management	Partly concealed channels along the forearm and extension	
Quick Release Adaptor	Built-in	
Capacity *	2 monitors	
Recommended Monitor Size	Type 3: 7 to 15 lbs ea. , 3.2 to 6.8 kg ea	* Listed weight capacities are based on the panel in 25mm deep Capacities will vary for deeper panels or VESA mount position
Mounting	Clamp, Grommet, Wall Mount	
Material	Forearm & Pivot	Aluminium Alloy & Steel
	Extension	0 degree type - Aluminium Alloy & Steel
	Base	Tall type - Aluminium Alloy & Steel
	Crosswing	Steel
Colour	Silver or Graphite	
Finish	Matt Epoxy Coated	
Recycle Content	90%	

Content is subject to change without notification

Product Specifications

Range of Motion



Dimensions

