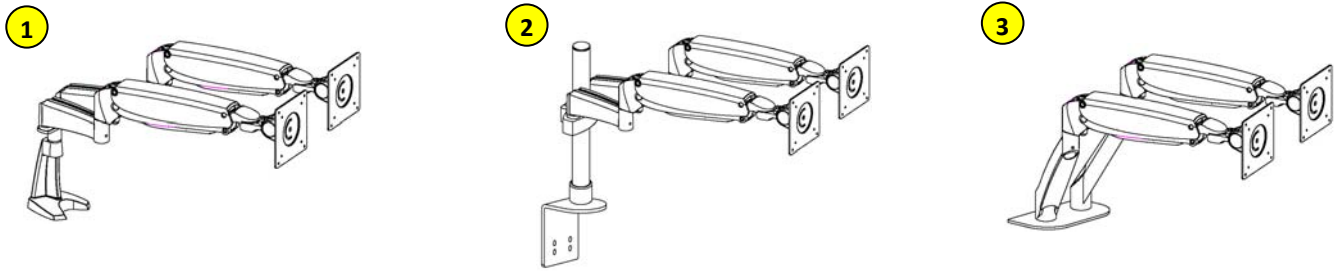


## Product Specifications

### Models



| P/N | Forearm   |   | Extension |        | Base |     |            | Mounting |         |      | Colour |          |
|-----|-----------|---|-----------|--------|------|-----|------------|----------|---------|------|--------|----------|
|     | Type      |   | 0 deg     | 45 deg | Tall | Low | Pole Mount | Clamp    | Grommet | Wall | Silver | Graphite |
| 1   | DLAMK611  | 1 | ■         |        | ■    |     |            | ■        | ■       |      | -S     | -B       |
|     | DLAMK621  | 2 | ■         |        | ■    |     |            | ■        | ■       |      | -S     | -B       |
| 2   | DLAMT611  | 1 | ■         |        |      |     |            |          |         | ■    | -S     | -B       |
|     | DLAMT621  | 2 | ■         |        |      |     |            |          |         | ■    | -S     | -B       |
|     | DLAMP611C | 1 | ■         |        |      |     | ■          | ■        |         |      | -S     | -B       |
|     | DLAMP611G | 1 | ■         |        |      |     | ■          |          | ■       |      | -S     | -B       |
|     | DLAMP621C | 2 | ■         |        |      |     | ■          | ■        |         |      | -S     | -B       |
|     | DLAMP621G | 2 | ■         |        |      |     | ■          |          | ■       |      | -S     | -B       |
| 3   | DLAME611C | 1 |           | ■      |      | ■   |            | ■        |         |      | -S     | -B       |
|     | DLAME611G | 1 |           | ■      |      | ■   |            |          | ■       |      | -S     | -B       |
|     | DLAME621C | 2 |           | ■      |      | ■   |            | ■        |         |      | -S     | -B       |
|     | DLAME621G | 2 |           | ■      |      | ■   |            |          | ■       |      | -S     | -B       |

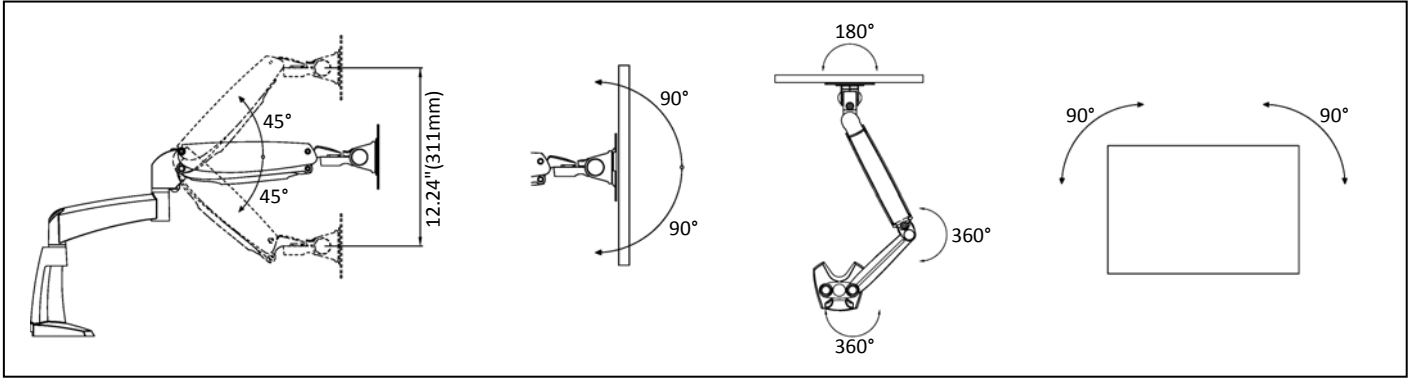
### Specifications

|                          |  |  |  |
|--------------------------|--|--|--|
| Monitor Interface        | VESA 75 and 100mm standard   |  |  |
| Support Technology       | High quality gas spring assisted parallel forearm, 3-axial high precision friction joint                   |  |  |
| Configuration            | Dual individual M6 arms with a dual arms adaptor on a deskbase / a wall or slatwall bracket / a pole mount |  |  |
| Cable Management         | Partly concealed channels along the forearm and extension  |  |  |
| Quick Release Adaptor    | Built-in   |  |  |
| Capacity*                | 2 monitors   | Type 1: 5 to 15 lbs ea., 2.3 to 6.8 kg ea. | * Listed weight capacities are based on the panel in 25mm deep |
|                          |  | Type 2: 10 to 22 lbs ea., 4.6 to 10 kg ea. | Capacities will vary for deeper panels or VESA mount position  |
| Recommended Monitor Size | not bigger than 27 inch  |  |  |
| Mounting                 | Clamp, Grommet, Wall Mount   |  |  |
| Material                 | Forearm & Pivot  | Aluminium Alloy & Steel                    |  |
|                          | Extension  | 0 degree type - Aluminium Alloy & Steel    | 45 degree type - ABS & Steel                                   |
|                          | Base   | Tall type - Aluminium Alloy & Steel        | Low Profile type - Steel Pole type - Steel                     |
|                          | Wall / Slatwall  | Aluminium Alloy & Steel                    |  |
| Colour                   | Silver or Graphite   |  |  |
| Finish                   | Matt Epoxy Coated  |  |  |
| Recycle Content          | 90%  |  |  |

Content is subject to change without notification

# Product Specifications

## Range of Motion



## Dimensions

