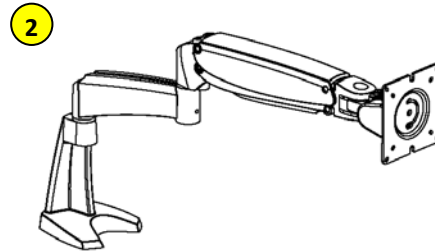
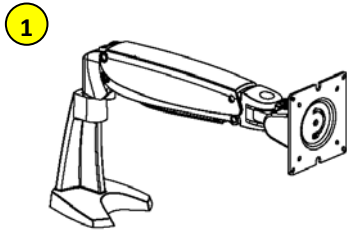


### Models



	P/N	Forearm	Extension		Base	Mounting			Colour	
		Type	No	0 deg	Tall	Clamp	Grommet	Wall	Silver	Graphite
1	AMK630	3	■		■	■	■		-S	-B
	AMK631	3		■	■	■	■			
2	AMT630	3	■					■	-S	-B
	AMT631	3		■				■		

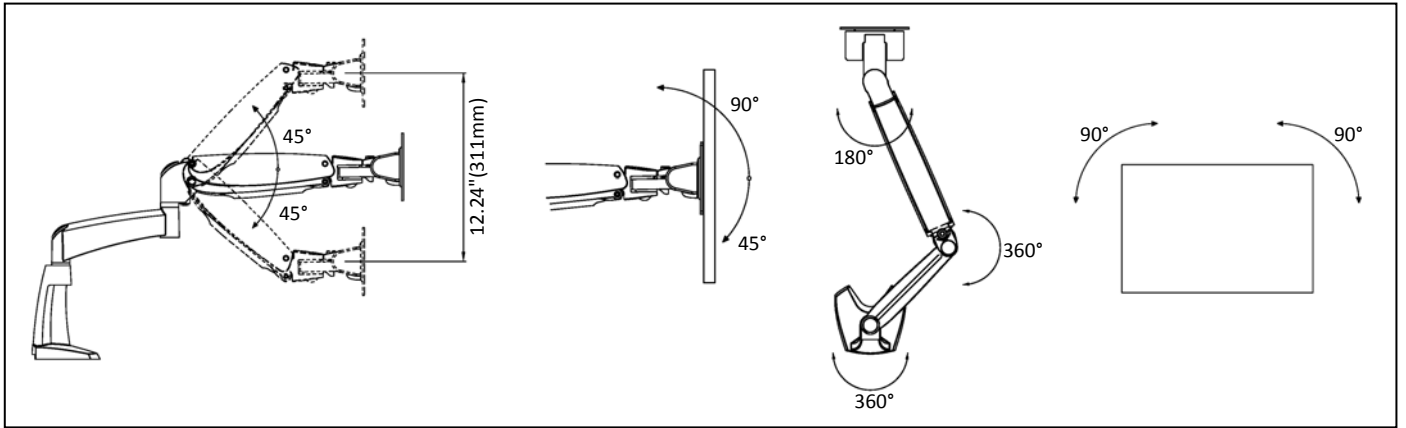
### Specifications

Monitor Interface	VESA 75/75mm, 100/100mm, 100/200mm Standard (with optional adaptor)	
Support Technology	High quality heavy duty gas spring assisted parallel forearm, spring assisted 3-axial high precision friction joint	
Cable Management	Partly concealed channels along the forearm and extension	
Quick Release Adaptor	Built-in	
Capacity *	Type 3:	18 to 42 lbs, 8.2 to 19 kg * Listed weight capacities are based on the panel in 25mm deep Capacities will vary for deeper panels or VESA mount position
Recommended Monitor Size	not bigger than 42 inch	
Mounting	Clamp, Grommet, Wall Mount	
Material	Forearm & Pivot	Aluminium Alloy & Steel
	Extension	0 degree type - Aluminium Alloy & Steel
	Base	Tall type - Aluminium Alloy & Steel
	Wall / Slatwall	Aluminium Alloy & Steel
Colour	Silver or Graphite	
Finish	Matt Epoxy Coated	
Recycle Content	90%	

Content is subject to change without notification

# Product Specifications

## Range of Motion



## Dimensions

