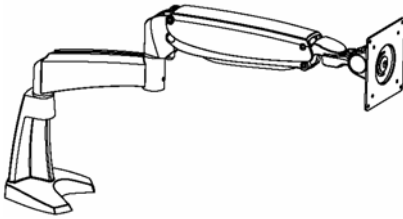
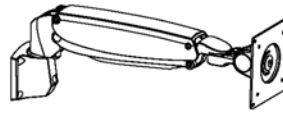


### Models

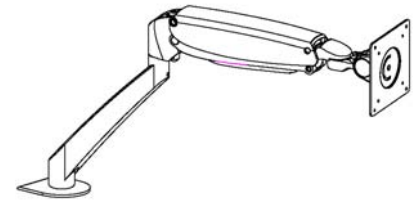
1



2



3



| P/N     | Forearm |    | Extension |        |      | Base |       | Mounting |      |           |        | Colour   |  |
|---------|---------|----|-----------|--------|------|------|-------|----------|------|-----------|--------|----------|--|
|         | Type    | No | 0 deg     | 45 deg | Tall | Low  | Clamp | Grommet  | Wall | Slat Wall | Silver | Graphite |  |
| AMK610  | 1       | ■  |           |        | ■    |      | ■     | ■        |      |           |        |          |  |
| AMK620  | 2       | ■  |           |        | ■    |      | ■     | ■        |      |           | -S     | -B       |  |
| AMK611  | 1       |    | ■         |        | ■    |      | ■     | ■        |      |           |        |          |  |
| AMK621  | 2       |    | ■         |        | ■    |      | ■     | ■        |      |           |        |          |  |
| AMT610  | 1       | ■  |           |        |      |      |       |          | ■    |           |        |          |  |
| AMT620  | 2       | ■  |           |        |      |      |       |          | ■    |           | -S     | -B       |  |
| AMT611  | 1       |    | ■         |        |      |      |       |          | ■    |           |        |          |  |
| AMT621  | 2       |    | ■         |        |      |      |       |          | ■    |           |        |          |  |
| AMS610  | 1       | ■  |           |        |      |      |       |          |      | ■         |        |          |  |
| AMS620  | 2       | ■  |           |        |      |      |       |          |      | ■         | -S     | -B       |  |
| AMS611  | 1       |    | ■         |        |      |      |       |          |      | ■         |        |          |  |
| AMS621  | 2       |    | ■         |        |      |      |       |          |      | ■         |        |          |  |
| AME611C | 1       |    |           | ■      |      | ■    | ■     |          |      |           |        |          |  |
| AME611G | 1       |    |           | ■      |      | ■    | ■     | ■        |      |           | -S     | -B       |  |
| AME621C | 2       |    |           | ■      |      | ■    | ■     | ■        |      |           |        |          |  |
| AME621G | 2       |    |           | ■      |      | ■    | ■     | ■        |      |           |        |          |  |

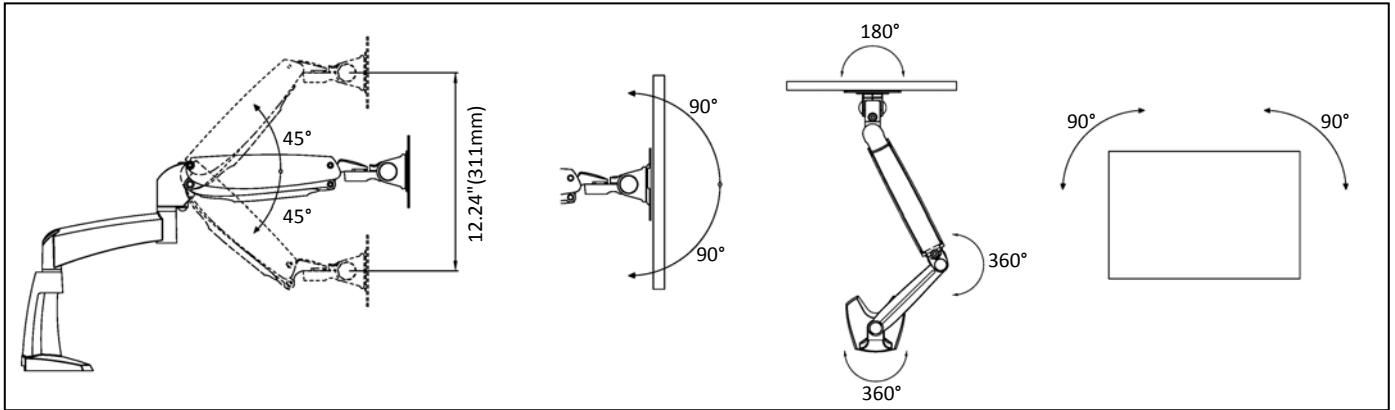
### Specifications

|                          |  |   |   |
|--------------------------|--|---|---|
| Monitor Interface        | VESA 75 and 100mm standard   |   |   |
| Support Technology       | High quality gas spring assisted parallel forearm, 3-axial high precision friction joint |   |   |
| Cable Management         | Partly concealed channels along the forearm and extension                                |   |   |
| Quick Release Adaptor    | Built-in   |   |   |
| Capacity *               | Type 1:  | 5 to 15 lbs, 2.3 to 6.8 kg              | * Listed weight capacities are based on the panel in 25mm deep<br>Capacities will vary for deeper panels or VESA mount position |
|                          | Type 2:  | 10 to 22 lbs, 4.6 to 10 kg              |   |
| Recommended Monitor Size | not bigger than 27 inch  |   |   |
| Mounting                 | Clamp, Grommet, Wall Mount, Slatwall Mount   |   |   |
| Material                 | Forearm & Pivot  | Aluminium Alloy & Steel                 |   |
|                          | Extension  | 0 degree type - Aluminium Alloy & Steel | 45 degree type - ABS & Steel  |
|                          | Base   | Tall type - Aluminium Alloy & Steel     | Low Profile type - Steel Pole type - Steel  |
|                          | Wall / Slatwall  | Aluminium Alloy & Steel                 |   |
| Colour                   | Silver or Graphite   |   |   |
| Finish                   | Matt Epoxy Coated  |   |   |
| Recycle Content          | 90%  |   |   |

Content is subject to change without notification

# Product Specifications

## Range of Motion



## Dimensions

