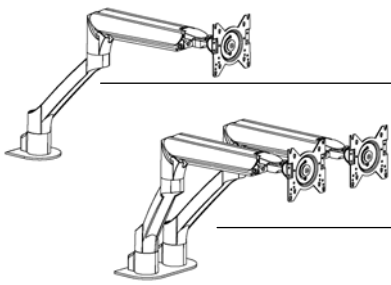


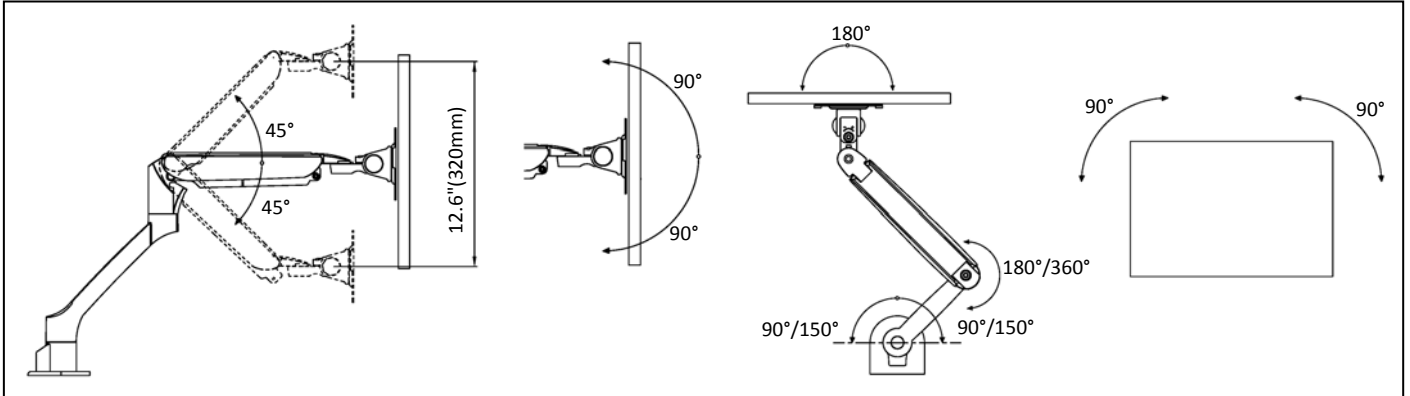
## Product Specifications

### Models

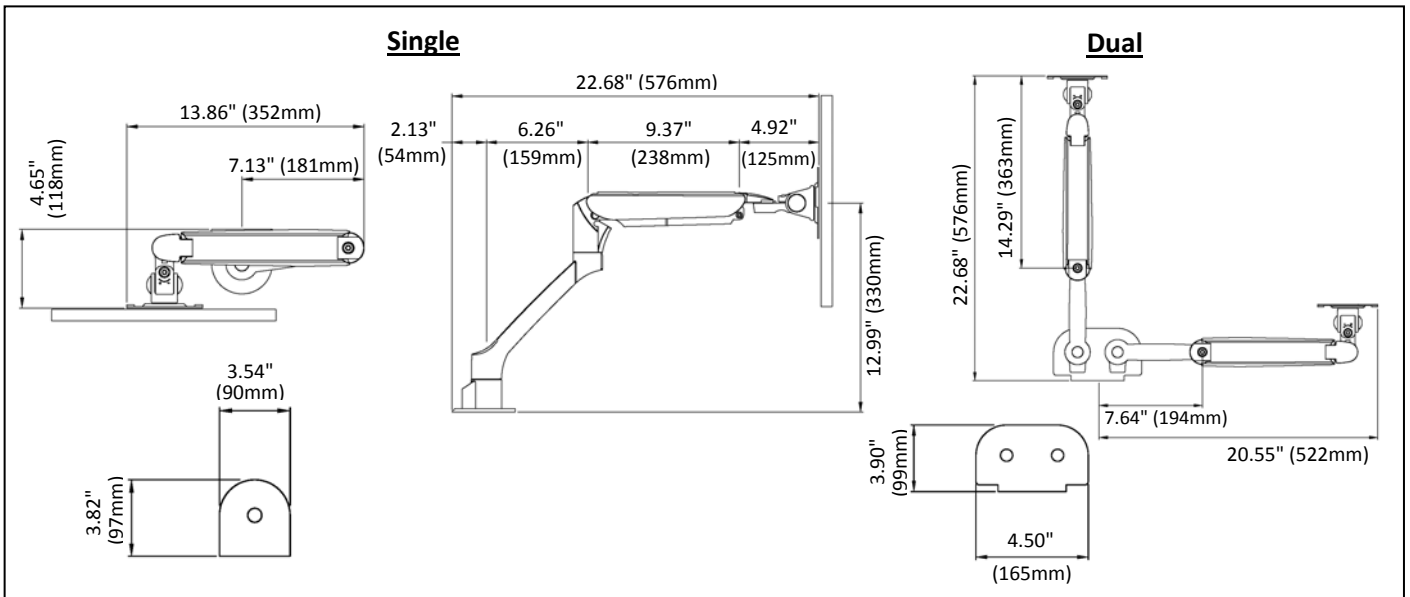


P/N	Forearm	Extension	Mounting				Colour			
			Clamp	Grommet	Wall	Slat Wall	Black	Titanium	Red	White
X1-SE-C	■	■	■							
X1-SE-G	■	■	■	■	■	■	■	■	■	■
X1-SE-W	■	■			■					
X1-SE-SW	■	■				■				
DLX1-SE-C	■	■	■							
DLX1-SE-G	■	■	■	■	■	■	■	■	■	■

### Range of Motion



### Dimensions



### Specifications

Monitor Interface	VESA 75 and 100mm standard
Support Technology	High quality gas spring assisted parallel forearm, 3-axial high precision friction joint
Cable Management	Fully Concealed Cable Management Technology (Patent pending) Concealed channels along the forearm, the extension, the base and the related connection joints
Quick Release Adaptor	Built-in
Capacity *	4 to 12 lbs, 1.8 to 5.5 kg * Listed weight capacities are based on the panel in 25mm deep Capacities will vary for deeper panels or VESA mount position
Recommended Monitor Size	not bigger than 27 inch
Mounting	Clamp, Grommet, Wall Mount, Slatwall Mount
Material	Forearm & Pivot Aluminium Alloy, Steel & Plastic Extension Aluminium Alloy & Plastic Base Steel & Plastic Wall / Slatwall Aluminium Alloy, Steel & Plastic
Colour	Silver with forearm claddings in Black, Titanium, Red and White
Finish	Matt Epoxy Coated for all metal parts Matt or Glossy Epoxy Coated for all plastic parts
Recycle Content	90%

Content is subject to change without notification